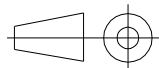
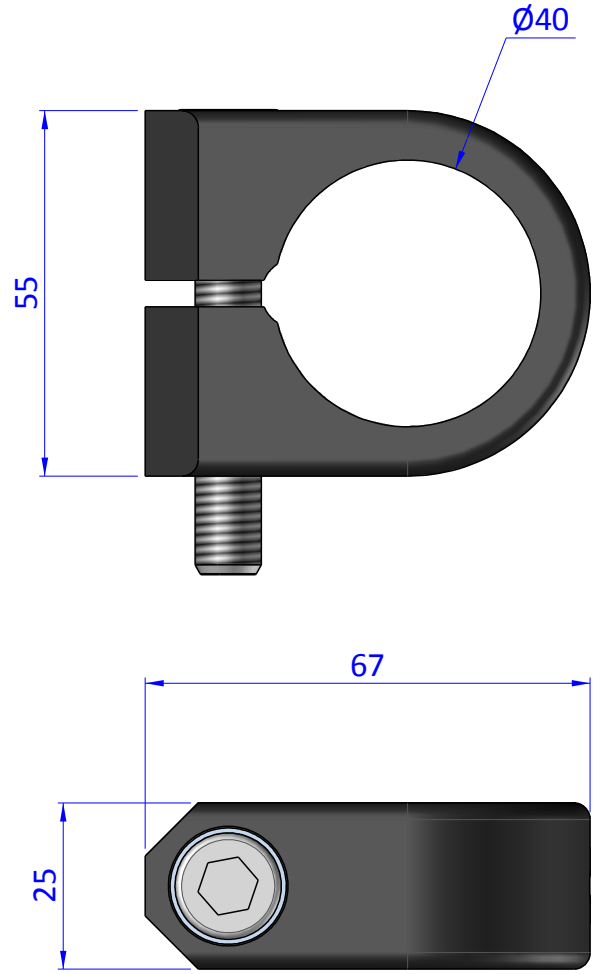
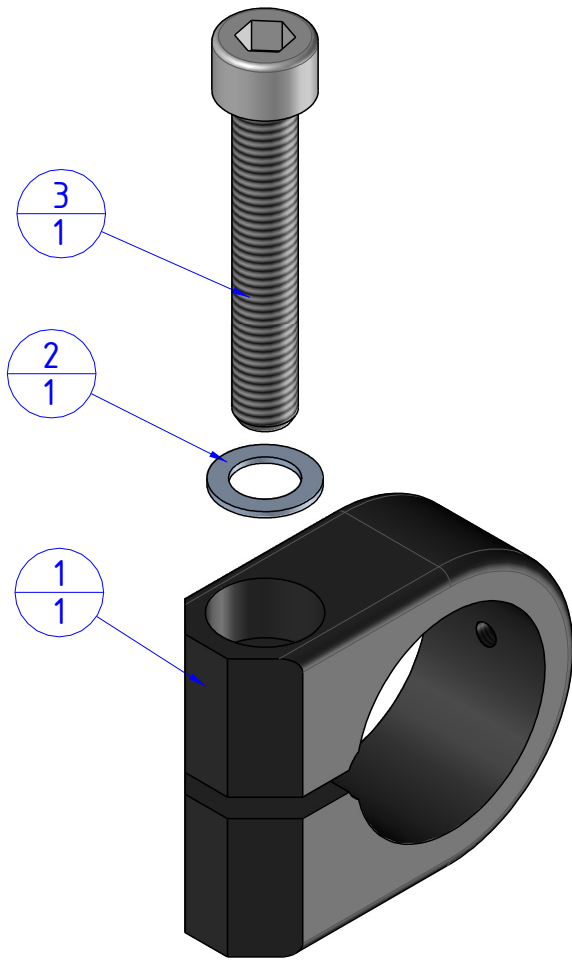


THE PROPERTY OF THE DRAWING IS ESTABLISHED BY LAW. IT IS FORBIDDEN TO PRODUCE OR SHOW IT TO THIRD PART. WITHOUT A WRITTEN AGREEMENT.

Item	Name	Q.ty
1	HAR.40	1
2	R.10.SCH	1
3	V.TCE10x60	1



DESIGNED FROM		REVIEW
FPSERVICES		A
DATE	WEIGHT	
31/10/2018	0,159kg	
CODE		
CA.HAR.40		

Format	A4
UNI 936-76	

GENERAL TOLERANCE	DESCRIPTION
UNI - ISO 2768	CA.HAR.40
CLASSE f	